

Primary tank

Tank volume 5000 L

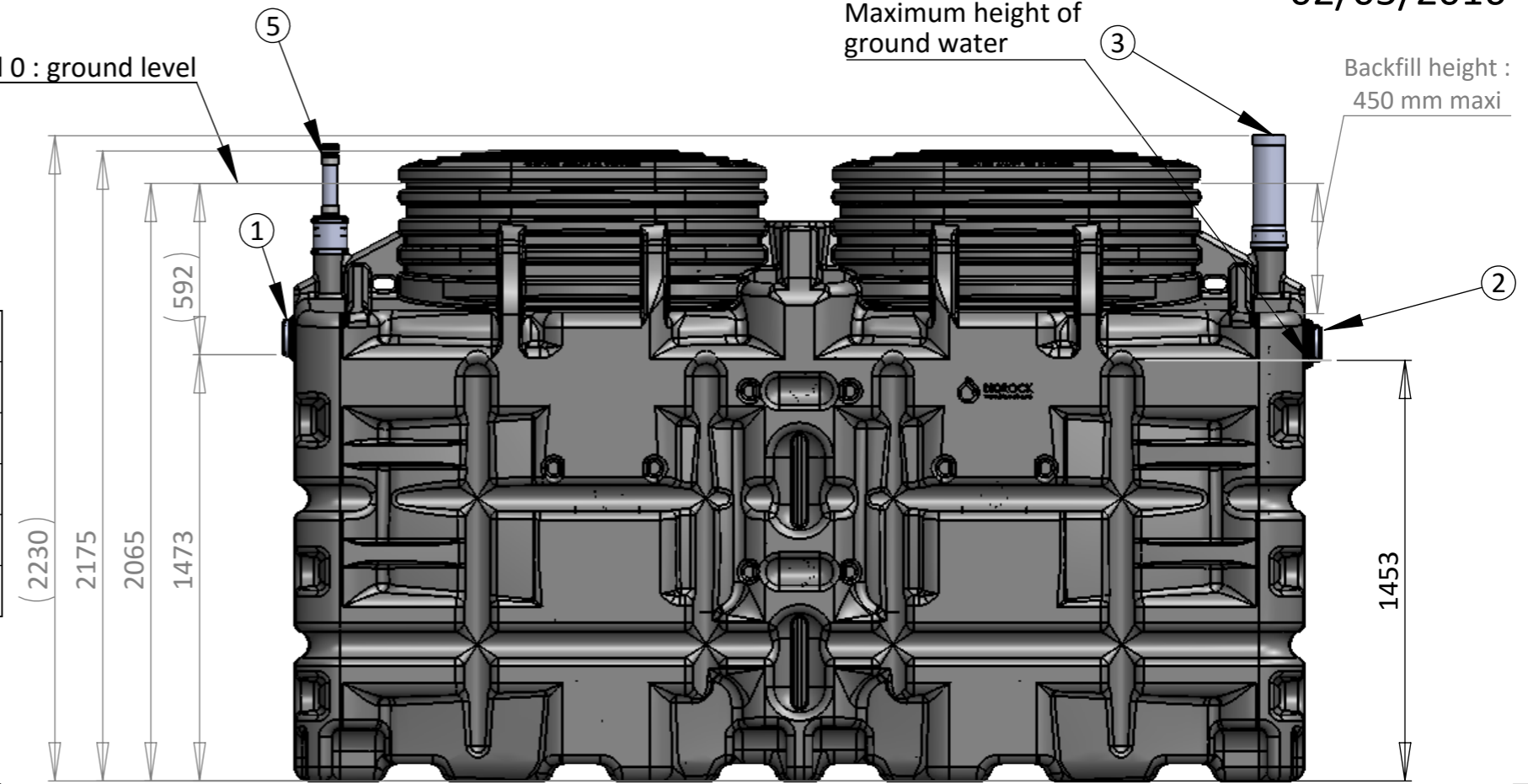
1	Water inlet
2	Water outlet
3	Access to effluent filter
4	Air outlet
5	Rodding point

Level 0 : ground level

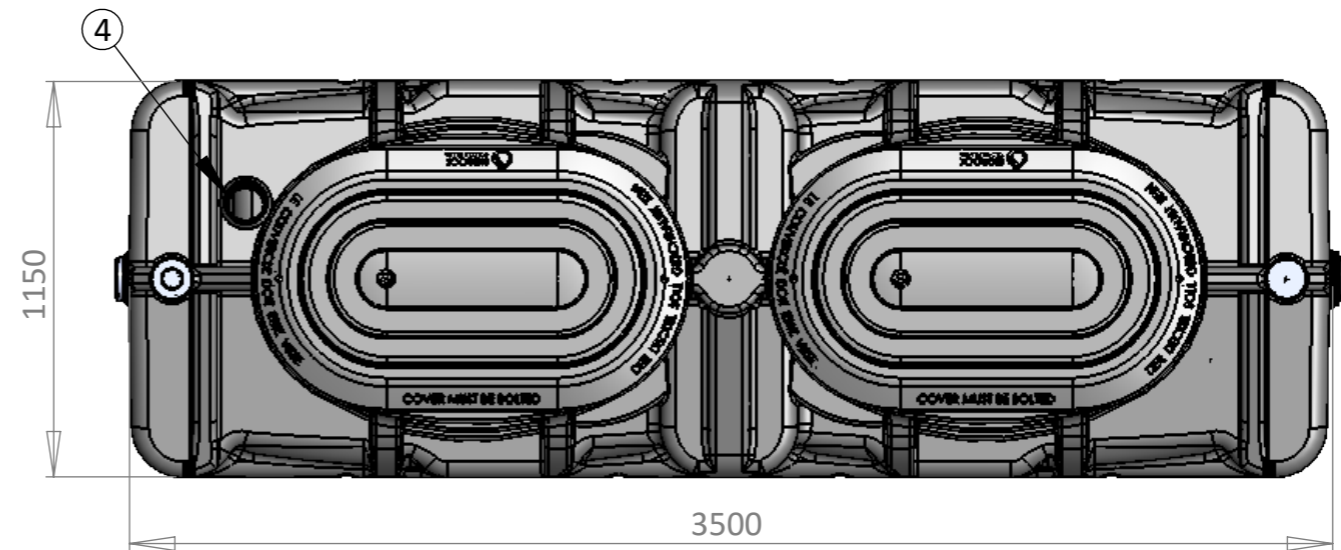
Water level
Maximum height of
ground water

V1
02/05/2016

Backfill height :
450 mm maxi



Characteristics	Value	Unit
Primary Tank (PT)		
Material	HDPE	
Minimum volume necessary	5000	Liters
Specification		
Overall length	3500	mm
Overall width	1150	mm
Total height of the tank	2175	mm
Overall height	2230	mm
Total weight (without water)	408	Kg
Pipe diameter	110	mm



This primary tank can be installed in high ground water table.

Overall tolerance : 3%

Service :

ORIGINATOR			
NAME	SIGNATURE	DATE	
AQ		02/05/2016	
CHANGES			
NAME	SIGNATURE	DATE	TITLE:
CHANGES			
NAME	SIGNATURE	DATE	Nb. of PLAN
			FTE-X5000

BIOROCK

SCALE:1:22

A3